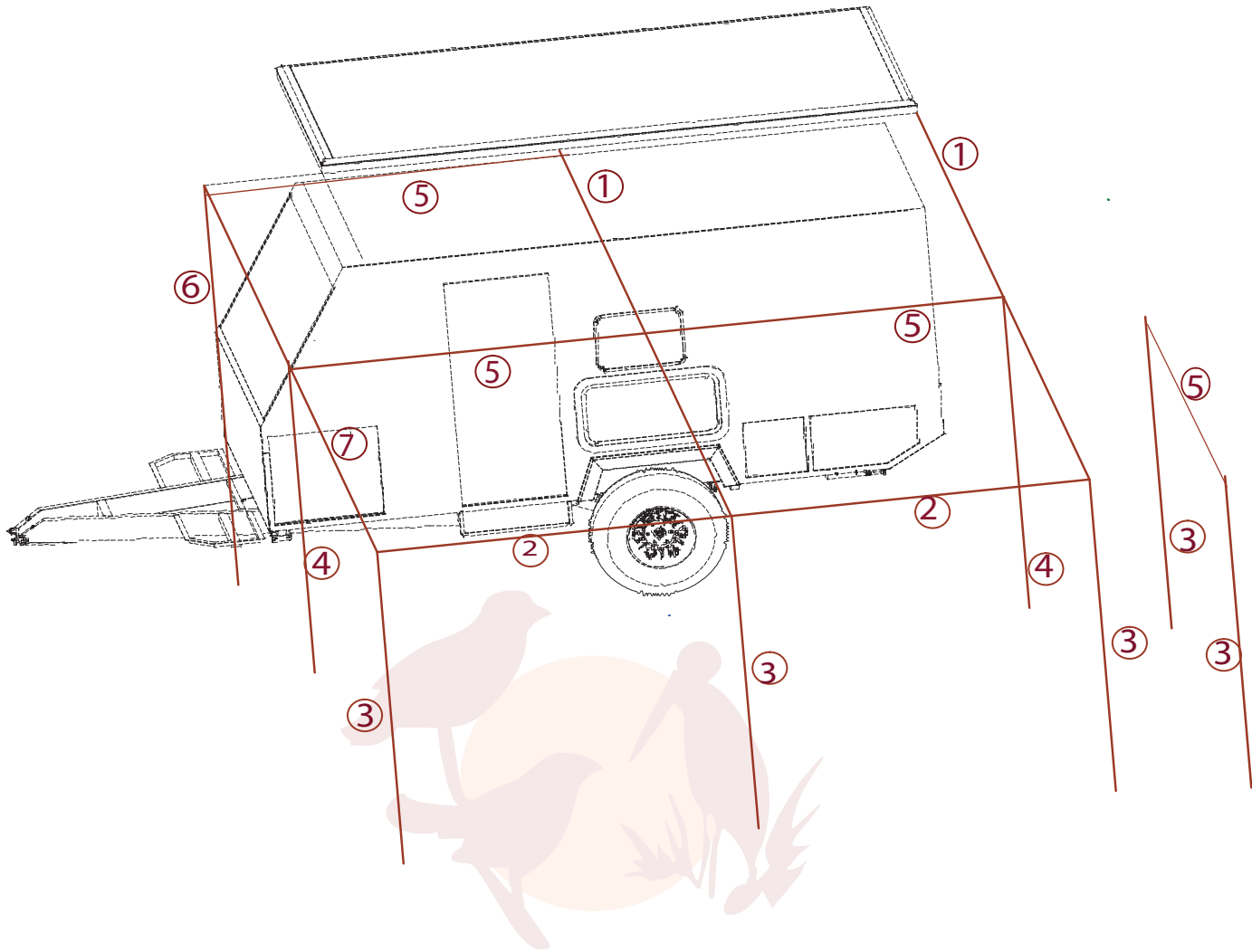




PARKES 13 CARAVAN TENT SETUP



■ Annexe

Annexe

NO# 1		x2	NO# 5		x4
NO# 2		x2	NO# 6		x1
NO# 3		x5	NO# 7		x1
NO# 4		x2			

EZY Hint

Prior to embarking on your first camping trip make sure you weather your canvas by wetting it down with a hose & letting it dry out at least 3 times.

